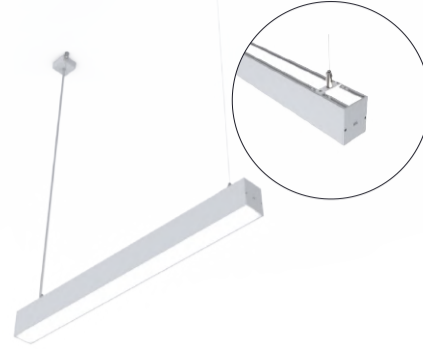


CÓDIGOS COMERCIAIS COMMERCIAL CODES CODES COMMERCIAUX
INTERIOR INDOOR INTÉRIEUR



SUSPENSO LUZ DIRETA
SUSPENDED DIRECT LIGHT LUMIÈRE DIRECTE SUSPENDUE



SUSPENSO LUZ DIRETA E INDIRETA
SUSPENDED DIRECT AND INDIRECT LIGHT LUMIÈRE DIRECTE ET INDIRECTE SUSPENDUE



SALIENTE TETO
SURFACE CEILING EN SURFACE PLAFOND

1º COMPONHA A LINHA ATRAVÉS DOS MÓDULOS EXTERIORES | MAKE THE LINE WITH THE EXTERNAL MODULES | FAIT LA LIGNE AVEC LES MODULES EXTERNES



Módulo Exterior Suspenso
Suspended External Module Module Externe Suspendu

Mod.	900	1200	1500	2x900	2x1200	2x1500
IND./DIR.	OFFC AC 109	OFFC AC 024	OFFC AC 001	OFFC AC 120	OFFC AC 035	OFFC AC 020
MID./FINAL	OFFC AC 119	OFFC AC 034	OFFC AC 019	OFFC AC 121	OFFC AC 036	OFFC AC 021
Dim.	846mm	1126mm	1408mm	1692mm	2252mm	2816mm
Susp.	2	2	2	2	2	3



Módulo Exterior Suspenso Indireto
Indirect Suspended External Module Module Externe Suspendu Indirect

Mod.	Temp.	900	1200	1500	2x900	2x1200	2x1500
IND./DIR.	3000	OFFC AC 137	OFFC AC 066	OFFC AC 050	OFFC AC 141	OFFC AC 070	OFFC AC 054
	4000	OFFC AC 138	OFFC AC 067	OFFC AC 051	OFFC AC 142	OFFC AC 071	OFFC AC 055
MID./FINAL	3000	OFFC AC 139	OFFC AC 068	OFFC AC 052	OFFC AC 143	OFFC AC 072	OFFC AC 056
	4000	OFFC AC 140	OFFC AC 069	OFFC AC 053	OFFC AC 144	OFFC AC 073	OFFC AC 057
Dim.		846mm	1126mm	1408mm	1692mm	2252mm	2816mm
Susp.		2	2	2	2	2	3



Módulo Exterior Saliente
Surface External Module Module Externe en Surface

Mod.	900	1200	1500	2x900	2x1200	2x1500
IND./DIR.	OFFC AC 107	OFFC AC 099	OFFC AC 100	OFFC AC 108	OFFC AC 101	OFFC AC 102
Dim.	846mm	1126mm	1408mm	1692mm	2252mm	2816mm

2º ESCOLHA OS MÓDULOS INTERIORES COM BASE NA LINHA DEFINIDA | CHOOSE THE INTERNAL MODULES BASED ON THE DESIRED LINE | CHOISISSEZ LES MODULES INTERNES BASÉ SUR LA LIGNE DÉSIREE



Modulo Interior Luz Direta
Direct Light Internal Module Module Interne pour Éclairage Direct

Temp.	ON/OFF			DALI			EMER.	
	900 (19W/27W)	1200 (25W/35W)	1500 (30W/43W)	900 (19W/27W)	1200 (25W/35W)	1500 (30W/43W)	1200 (25W/35W)	1500 (30W/43W)
3000	OFFC AC 110	OFFC AC 025	OFFC AC 002	OFFC AC 113	OFFC AC 028	OFFC AC 009	OFFC AC 038	OFFC AC 011
	OFFC AC 115	OFFC AC 030	OFFC AC 013	OFFC AC 117	OFFC AC 032	OFFC AC 015	OFFC AC 040	OFFC AC 017
4000	OFFC AC 111	OFFC AC 026	OFFC AC 003	OFFC AC 114	OFFC AC 029	OFFC AC 010	OFFC AC 039	OFFC AC 012
	OFFC AC 116	OFFC AC 031	OFFC AC 014	OFFC AC 118	OFFC AC 033	OFFC AC 016	OFFC AC 041	OFFC AC 018
Dim.	844mm	1124mm	1406mm	844mm	1124mm	1406mm	1124mm	1406mm



Modulo Interior Luz Direta + Indireta
Internal Module Direct + Indirect Light Module Interne Lumière Directe + Indirecte

Temp.	ON/OFF			DALI		
	900 (28W/36W)	1200 (37W/47W)	1500 (45W/58W)	900 (28W/36W)	1200 (37W/47W)	1500 (45W/58W)
3000	OFFC AC 123	OFFC AC 074	OFFC AC 042	OFFC AC 125	OFFC AC 076	OFFC AC 044
	OFFC AC 127	OFFC AC 078	OFFC AC 046	OFFC AC 129	OFFC AC 080	OFFC AC 048
4000	OFFC AC 124	OFFC AC 075	OFFC AC 043	OFFC AC 126	OFFC AC 077	OFFC AC 045
	OFFC AC 128	OFFC AC 079	OFFC AC 047	OFFC AC 130	OFFC AC 081	OFFC AC 049
Dim.	844mm	1124mm	1406mm	844mm	1124mm	1406mm



Modulo Interior Luz Assimétrica
Asymmetric Light Internal Module Module Interne de Lumière Asymétrique

Temp.	ON/OFF			DALI		
	900 (19W)	1200 (25W)	1500 (30W)	900 (19W)	1200 (25W)	1500 (30W)
3000	OFFC AC 133	OFFC AC 088	OFFC AC 084	OFFC AC 135	OFFC AC 090	OFFC AC 086
4000	OFFC AC 134	OFFC AC 089	OFFC AC 085	OFFC AC 136	OFFC AC 091	OFFC AC 087
Dim.	845mm	1125mm	1407mm	845mm	1125mm	1407mm

3º ESCOLHA OS DIFUSORES/REFLECTORES COM BASE NA LINHA DEFINIDA | CHOOSE DIFFUSERS / REFLECTORS BASED ON THE DESIRED LINE | CHOISISSEZ LES DIFFUSEURS / RÉFLECTEURS BASÉ SUR LA LIGNE DÉSIREE



Difusor Opalino
Opal Diffuser Diffuseur Opale
(Permite 3 posições | Allows 3 positions | Permet 3 positions)



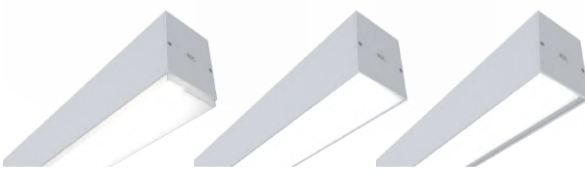
Difusor Prismático
Prismatic Diffuser Diffuseur Prismatique
(Permite 2 posições | Allows 2 positions | Permet 2 positions)



Refletor Parabólico
Parabolic Reflector Réflecteur Parabolique



Assimétrico
Asymmetric Asymétrique



Saliente
Protruding Saillie

Face
Surface Surface

Recuado
Recessed Retrait



Face
Surface Surface

Recuado
Recessed Retrait

Dif./Ref.	900	1200	1500	2x900	2x1200	2x1500
OPAL.	OFFC AC 112	OFFC AC 027	OFFC AC 004	OFFC AC 122	OFFC AC 037	OFFC AC 022
PRISM.	OFFC AC 131	OFFC AC 083	OFFC AC 082	OFFC AC 132	OFFC AC 103	OFFC AC 104
REFL. PARAB.	OFFC AC 145	OFFC AC 105	OFFC AC 106			
Dim.	846mm	1126mm	1408mm	1692mm	2252mm	2816mm

4º ESCOLHA OS TOPOS ADEQUADOS | CHOOSE THE APPROPRIATE CAPS | CHOISISSEZ LES CASQUETTES APPROPRIÉS

OPAL.		2x OFFC AC 005
PRISM. PARAB. ASM.		2x OFFC AC 092

5º ESCOLHA OS ACESSÓRIOS NECESSÁRIOS PARA COMPLETAR O PRODUTO | CHOOSE THE NECESSARY ACCESSORIES TO COMPLETE THE PRODUCT | CHOISISSEZ LE NÉCESSAIRE ACCESSOIRES À COMPLÉTER LE PRODUIT

<p>União de Módulos Module Union / Union de Modules</p> <p>OFFC AC 023</p>	<p>Ligador 3P Fêmea 3P Female Connector / Connecteur femelle 3P</p> <p>MP.1.10.021.00</p>	<p>Suspensão 2mt Suspension 2mt / Suspension 2mt</p> <p>OFFC AC 008</p>	<p>Alim. Suspensa 2mt ON/OFF Suspended Power Suple 2mt ON/OFF / Alimentation suspendue 2m ON / OFF</p> <p>OFFC AC 006</p>	<p>Alim. Suspensa 2mt DALI Suspended Power Suple 2mt DALI / Alimentation suspendue 2m DALI</p> <p>OFFC AC 007</p>
	<p>Ligador 5P Fêmea 5P Female Connector / Connecteur Femelle 5P</p> <p>MP.1.10.033.00</p>			

CÓDIGOS COMERCIAIS COMMERCIAL CODES CODES COMMERCIAUX

INTERIOR INDOOR INTÉRIEUR



ENCASTRADO LUZ DIRETA
RECESSED DIRECT LIGHT ENCASTRÉ LUMIÈRE DIRECTE

1º COMPONHA A LINHA ATRAVÉS DOS MÓDULOS DE ENCASTRAR

MAKE THE LINE WITH THE RECESSED MODULES

FAIT LA LIGNE AVEC LES MODULES ENCASTRÉS



Modulo Encastrar com Aba
Recessed Module with Trim Module Encastré avec Garniture

Mod.	900	1200	1500	2x900	2x1200	2x1500
	OFFC AC 178	OFFC AC 093	OFFC AC 094	OFFC AC 179	OFFC AC 095	OFFC AC 096
Dim.	846mm	1126mm	1408mm	1692mm	2252mm	2816mm
Fix.	2	2	2	2	3	4

2º ESCOLHA OS MÓDULOS INTERIORES COM BASE NA LINHA DEFINIDA

CHOOSE THE INTERNAL MODULES BASED ON THE DESIRED LINE

CHOISISSEZ LES MODULES INTERNES BASÉ SUR LA LIGNE DÉSIRÉE



Modulo Interior Luz Direta
Direct Light Internal Module Module Interne pour Éclairage Direct

Temp.	ON/OFF			DALI		
	900 (19W/27W)	1200 (25W/35W)	1500 (30W/43W)	900 (19W/27W)	1200 (25W/35W)	1500 (30W/43W)
3000	OFFC AC 162	OFFC AC 154	OFFC AC 146	OFFC AC 164	OFFC AC 156	OFFC AC 148
	OFFC AC 166	OFFC AC 158	OFFC AC 150	OFFC AC 168	OFFC AC 160	OFFC AC 152
4000	OFFC AC 163	OFFC AC 155	OFFC AC 147	OFFC AC 165	OFFC AC 157	OFFC AC 149
	OFFC AC 167	OFFC AC 159	OFFC AC 151	OFFC AC 169	OFFC AC 161	OFFC AC 153
Dim.	844mm	1124mm	1406mm	844mm	1124mm	1406mm

3º ESCOLHA OS DIFUSORES/REFLECTORES COM BASE NA LINHA DEFINIDA

CHOOSE DIFFUSERS / REFLECTORS BASED ON THE DESIRED LINE

CHOISISSEZ LES DIFFUSEURS / RÉFLECTEURS BASÉ SUR LA LIGNE DÉSIRÉE



Difusor Opalino
Opal Diffuser Diffuseur Opale

(Permite 2 posições | Allows 2 positions | Permet 2 positions)



Difusor Prismático
Prismatic Diffuser Diffuseur Prismatique

(Permite 2 posições | Allows 2 positions | Permet 2 positions)



Refletor Parabólico
Parabolic Reflector Réflecteur Parabolique



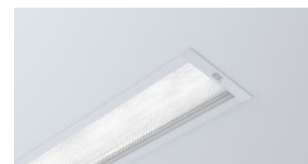
Face
Surface Surface



Recuado
Recessed Retrait



Face
Surface Surface



Recuado
Recessed Retrait



Dif./ Ref.	900	1200	1500	2x900	2x1200	2x1500
OPAL.	OFFC AC 112	OFFC AC 027	OFFC AC 004	OFFC AC 122	OFFC AC 037	OFFC AC 022
PRISM.	OFFC AC 131	OFFC AC 083	OFFC AC 082	OFFC AC 132	OFFC AC 103	OFFC AC 104
REF. PARAB.	OFFC AC 145	OFFC AC 105	OFFC AC 106			
Dim.	846mm	1126mm	1408mm	1692mm	2252mm	2816mm

4º ESCOLHA OS TOPOS ADEQUADOS
CHOOSE THE APPROPRIATE CAPS
CHOISISSEZ LES CASQUETTES APPROPRIÉS

5º ESCOLHA OS ACESSÓRIOS NECESSÁRIOS PARA COMPLETAR O PRODUTO

CHOOSE THE NECESSARY ACCESSORIES TO COMPLETE THE PRODUCT

CHOISISSEZ LE NÉCESSAIRE ACCESSOIRES À COMPLÉTER LE PRODUIT

ENCASTRAR COM ABA Recessed With Trim Encastré Avec Garniture		2x OFFC AC 097
--	--	-------------------

União de Módulos Module Union Union de Modules	OFFC AC 023
--	-------------



Conj. Fixação Módulo de encastrar Recessed Module fixing set Kit de fixation de module encastré	OFFC AC 098
--	-------------



Ligador 3P Fêmea 3P Female Connector Connecteur femelle 3P	MP.1.10.021.00
--	----------------



Ligador 5P Fêmea 5P Female Connector Connecteur Femelle 5P	MP.1.10.033.00
--	----------------

